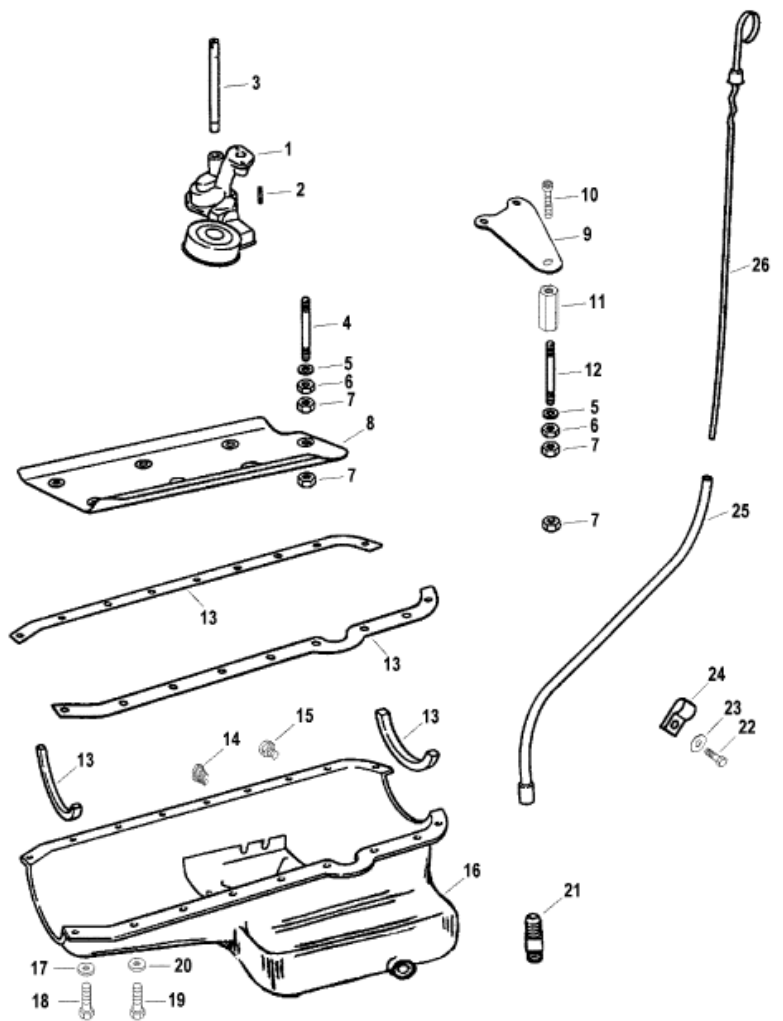


Parts List



Ref	Class	Part	Description	Qty	Comment	Footnote
1		98337T 6	PUMP ASSEMBLY-Oil	1		5
2	16	49108	STUD	1		5
3		848511	SHAFT	1		5
4	16	816254	STUD (Special)	6		5
5	12	816258	WASHER	7		5
6	11	816255	NUT (Special)	7		5
7	11	816257	NUT (Special)	14		5
8		848543 1	WINDAGE TRAY	1		5
9		849529A 1	BRACE KIT-Oil Pump	1		5
10	10	849660	SCREW (.375-24 x 1.00)	1		
11	11	849530	NUT (Special)	1		
12	16	816254	STUD (Special)	1		
13	27	848305	GASKET SET-Oil Pan	1		2,5
14	22	36373	PLUG-Pipe (.375-18)	2		5
15	19	815473 1	PLUG-Drain (.875-14)	1		5
16		817025T 1	PAN-Oil	1		5
17	12	20546	WASHER	14		5
18	10	55714	SCREW (.312-18 x .875)	12		5
19	10	54523	SCREW (.312-18 x 1.00)	2		5
20	10	55715	SCREW (.250-20 x .875)	2		5
21	12	20028	WASHER	2		5
22	22	42277	FITTING	1		5
23	10	817505	SCREW (.250-20 x .620)	1		5
24	12	846673	WASHER	1		5
25	54	822279	CLIP-Oil Tube Support	1		5
26		847599	TUBE-Oil Dipstick	1		5
		94010	DIPSTICK	1		5
-	27	99386A96	GASKET SET	1	(Engine Overhaul)	